

JVC
PROFESSIONAL

PRELIMINARY

KY-F75U

1/2" 3-CCD DIGITAL CAMERA

New Product News

1360 x 1024 SXGA Digital Imaging via IEEE 1394



iidc Instrumentation &
Industrial
Digital
Camera

Shown with optional lens

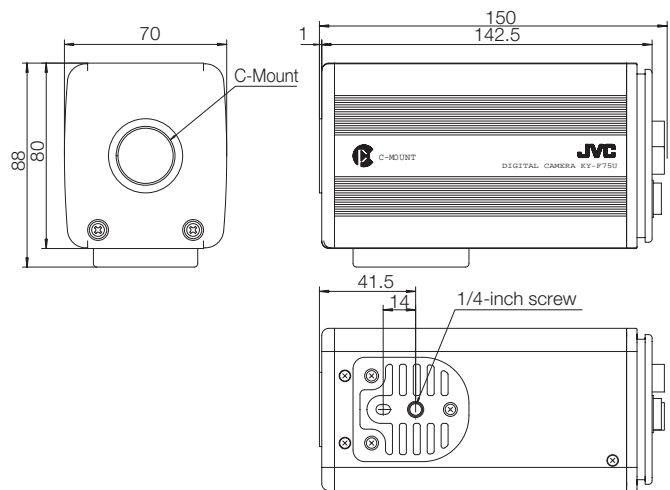
- 4.3 million effective square pixels
- Greater than SXGA resolution, having 1360 x 1024 pixels
- Progressive scan CCD output
- RGB prism separator and 3-CCD for total colour accuracy
- Direct digital interface to PC via IEEE 1394
- IIDC v1.3 subset of IEEE 1394 for uncompressed data transmission
- Live image preview on PC monitor and instantaneous capture
- Long duration image integration mode (slow shutter)
- Designed to accommodate applications using IR lighting
- Single cable 6pin IEEE 1394 connection, carrying DC power, image and control signals
- EN60601-1 medical approval when used with separate AA-P700 power adaptor
- Bundled with new JVC proprietary KY-LINK image acquisition and control software
- Turnkey solutions available, incorporating IEEE 1394 card & accessories

Specifications

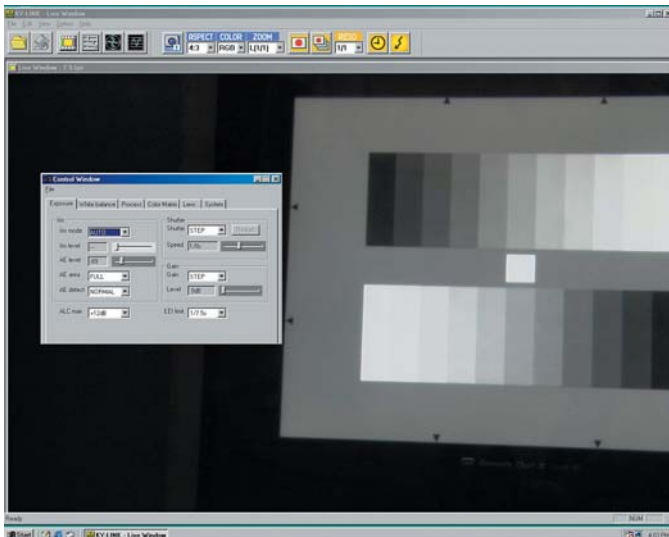
Imaging device	1/2 inch IT CCD x 3
Scanning type	Progressive
Total pixels	4.3 million (3 x 1.45 million) pixels
Effective pixels for CCD	1.45 million pixels (H:1,392 x V:1,040)
RGB output resolutions, switchable	1,280 x 960 pixels 1,360 x 1,024 pixels
Aspect ratio	Approx. 4:3
SHUTTER speed	4.010s to 1/5906.836s
Lens mount	C-mount
Digital data interface	IEEE1394 6 pins (IIDC ver. 1.3 standard), Uncompressed data (not for DV output)
Frame rate	7.5 frames/s
Detail compensation method	H/V simultaneous compensation
Output cable length	4.5 metres or less
Synchronization method	Internal synchronisation
Operating temperature range	0°C to 40°C (with humidity of less than 80%RH)
Input voltage	DC 12V (when AA-P700 is used) DC8V to 40V (IEEE1394 power supply)
Power consumption	12W (when AA-P700 is used, including lens) 7.2W (when IEEE1394 power supply +12V, without lens)
Weight	750g

Dimensions

Unit: mm



Software



Bundled with new JVC proprietary KY-LINK image acquisition and control software

Options



AA-P700
AC Power Adaptor
AA-P700EK (IEC601-1 Conformed)
AA-P700EG (IEC601-1 Conformed)
AA-P700MDU (UL-2601 Approved)
AA-P700U (General use)

JVC
VICTOR COMPANY OF JAPAN, LIMITED

DISTRIBUTED BY

Design and specifications subject to change without notice.



The Hachioji Plant of Victor Company of Japan, Ltd., has received ISO14001 and ISO9001 Certifications under the global standard for environmental management.